

JVC

SERVICE MANUAL

COMPACT COMPONENT SYSTEM

FS-SD5 FS-SD7 / FS-SD9

Supplement

Area Suffix

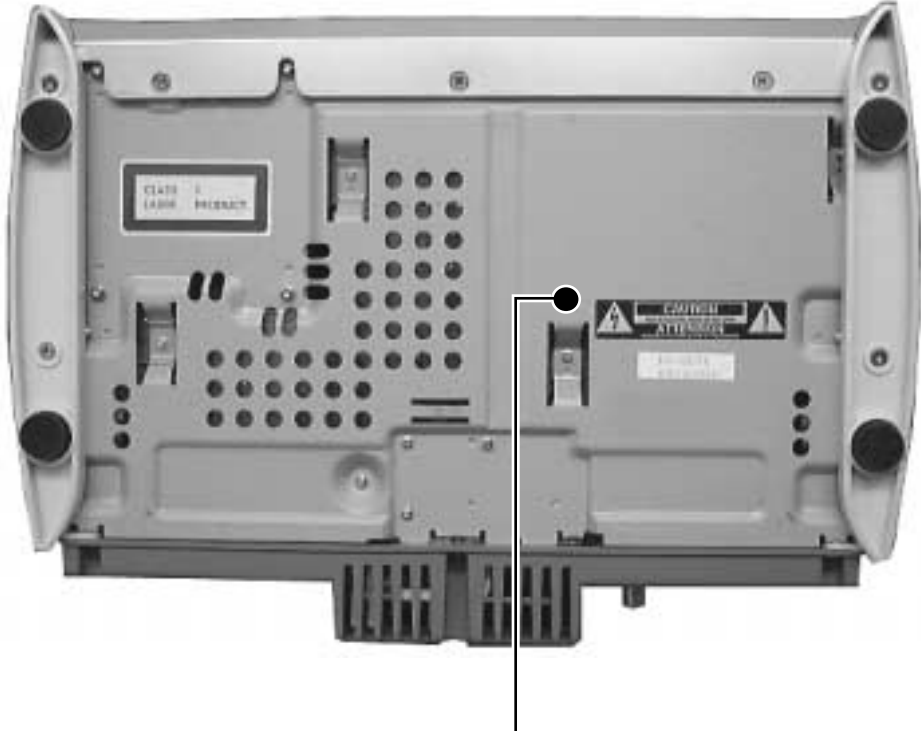
J U.S.A

**This Supplement is informational about the extension cable,
the CD mechanism is information which uses KSM-770 and
KSM-900.**

**Please refer the service manual of FS-SD5/FS-SD7/FS-SD9.
(Issue No. 20814)**

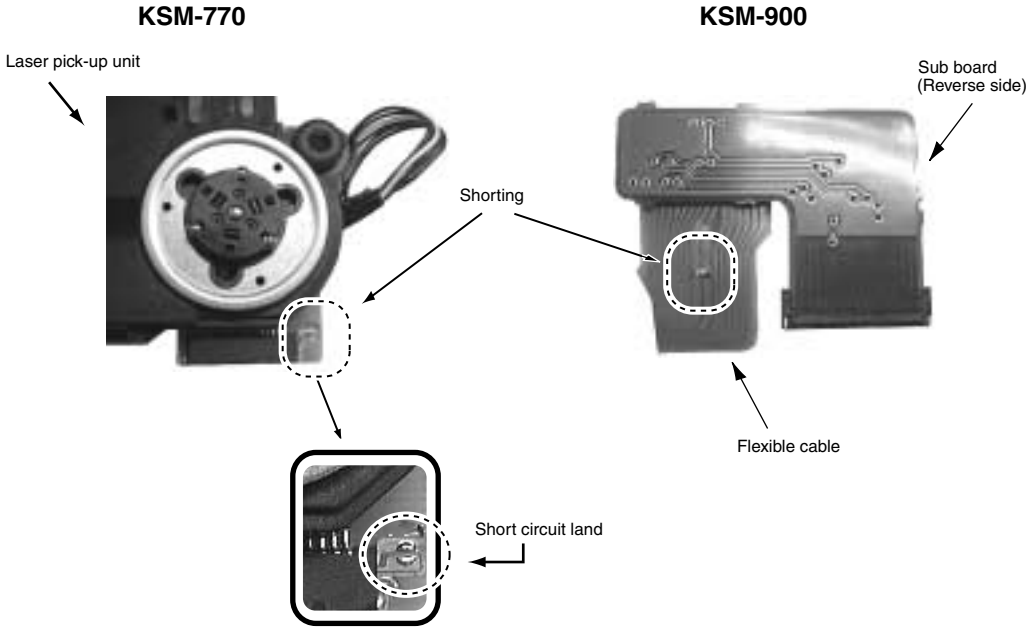
Method of connecting treatment device wire

This machine is using the mechanism of KSM-770 or KSM-900.
 Please refer to the following which mechanism to be used.

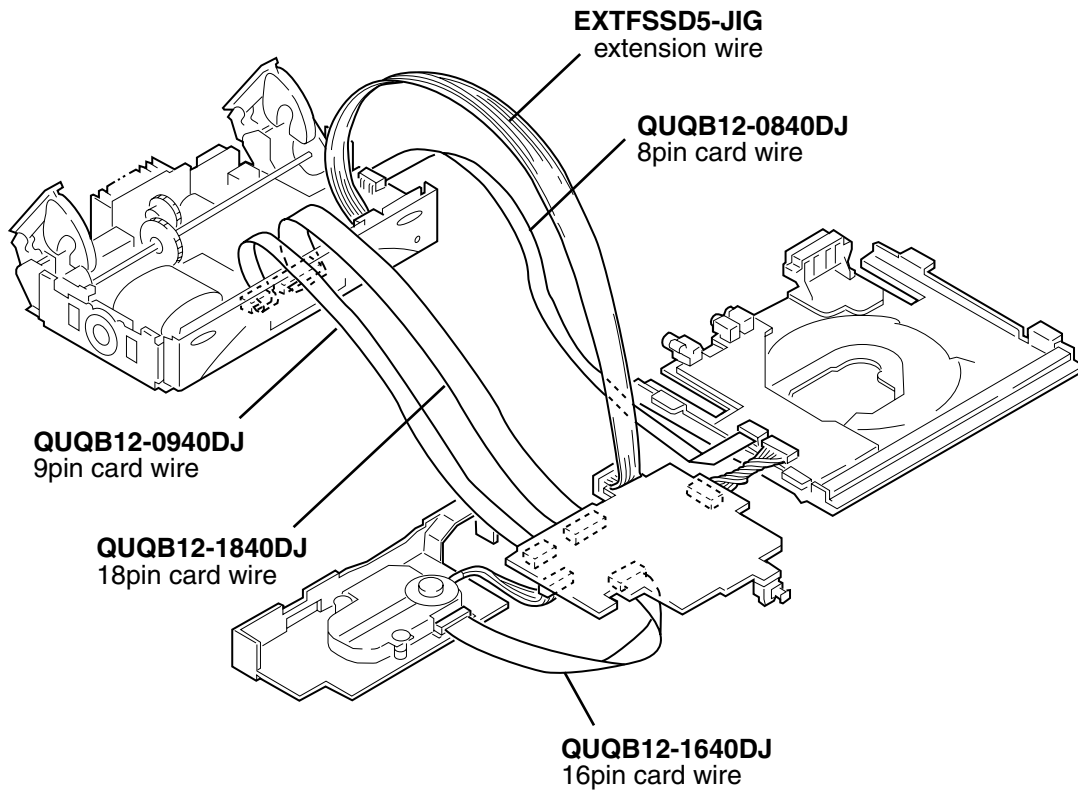


| Presence of black seal | Mechanism used |
|------------------------|----------------|
| X | KSM-770 |
| O | KSM-900 |

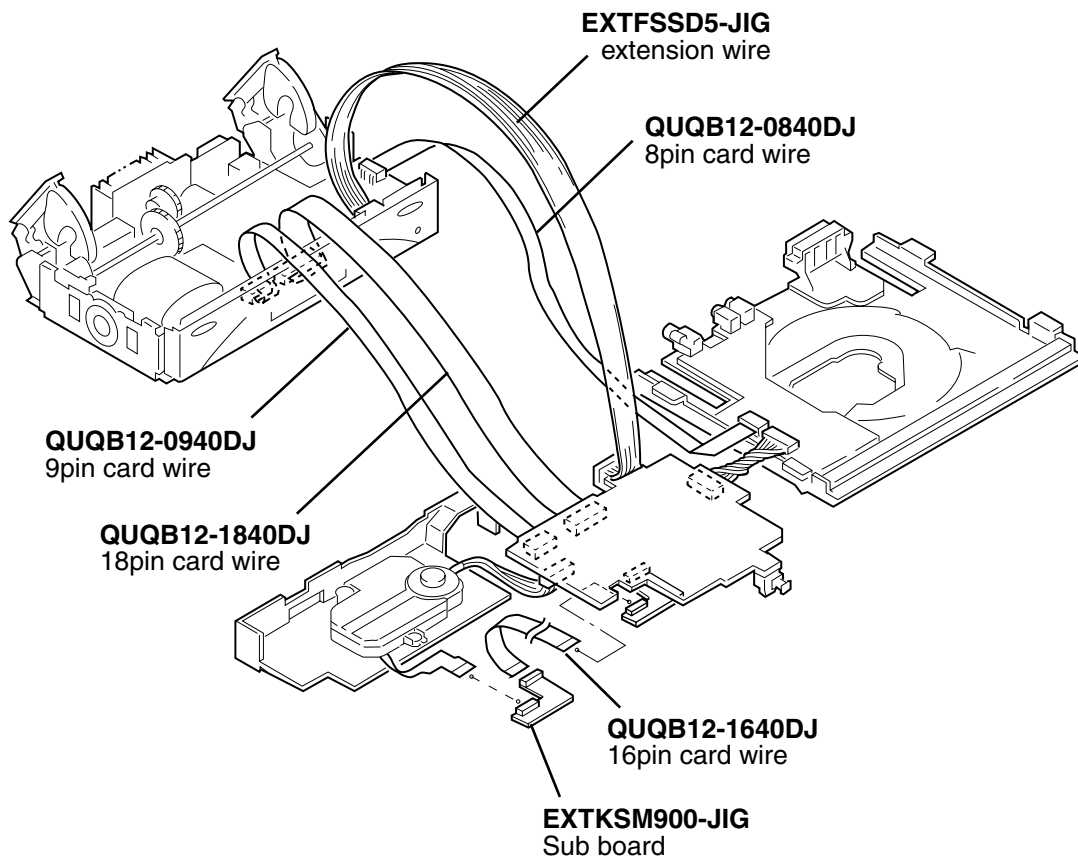
First short-circuit the pickup circuit before removing the pickup. Then carry out the replacement.
 Refer to "Dismantling and assembling the traverse unit" on page 1-5.



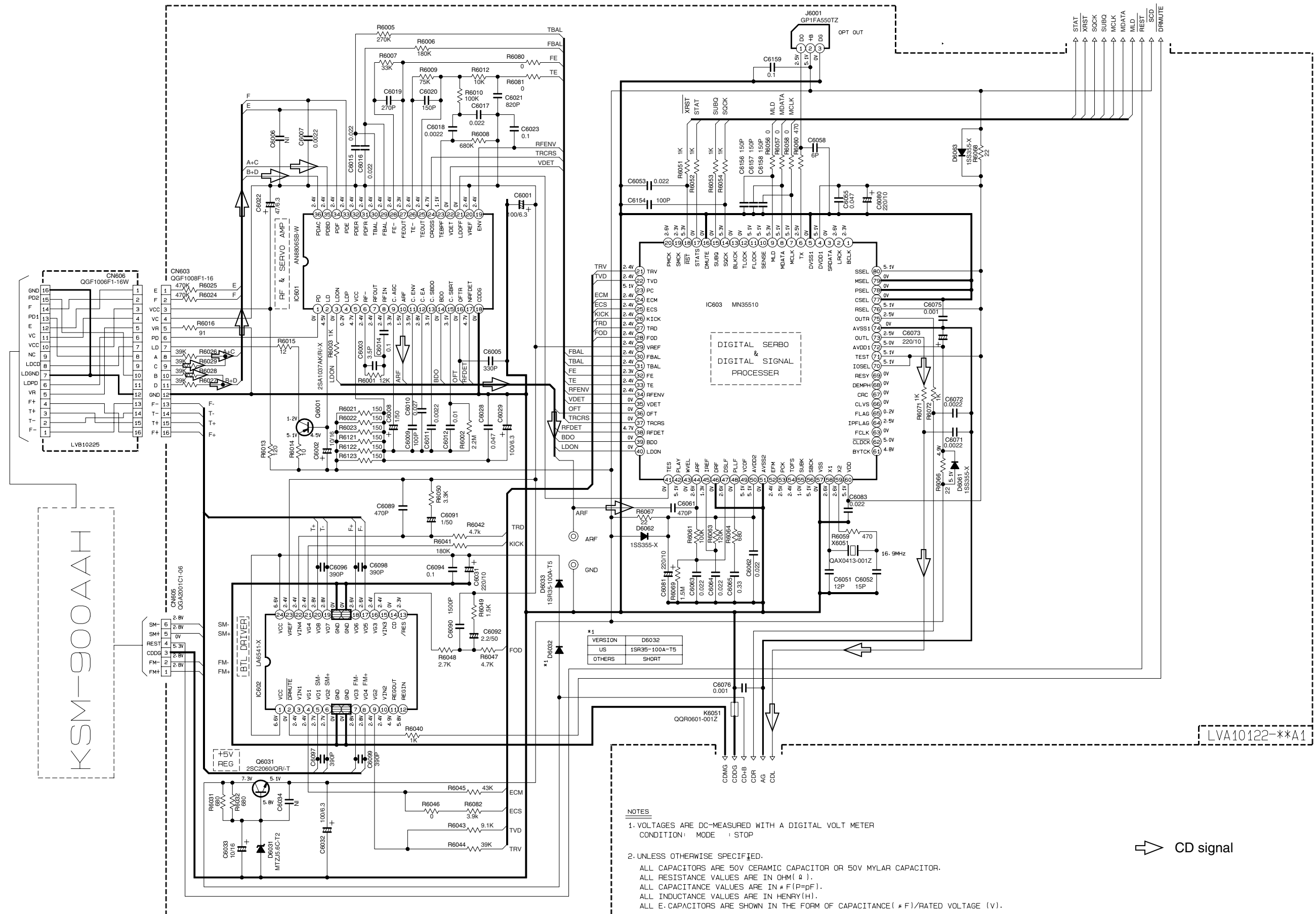
When the KSM-770 mechanism is used, the expansion cable is used as follows.



When the KSM-900 mechanism is used, the expansion cable is used as follows.



■ CD servo control section (for KSM-900)



➔ CD signal

■ Parts list(General assembly)

P3-2,P3-4 Block No. M1MM

| △ | Item | Parts name | Parts number | | Remarks |
|---|------|------------|------------------------------|------------------------------|----------------------|
| | | | KSM-770ABA | KSM-900AAH | |
| | 9 | CD MECHA | KSM-770ABA | KSM-900AAH | |
| | 11 | CD CHASSIS | LV10326-001A | LV10326-002A | |
| | 51 | TOP PANEL | LV10327-002A LV10327-004A | LV10327-001A LV10327-003A | FS-SD5/SD7 FS-SD9 |

■ Electrical parts list(CD board)

P3-9,P3-10 Block No. 02

| △ | Item | Parts name | Parts number | |
|---|-------|----------------|--------------|---------------|
| | | | KSM-770ABA | KSM-900AAH |
| | CN606 | CONNECTOR | ----- | QGF1006F1-16W |
| | C6020 | C CAPACITOR | NCS21HJ-181X | NCS21HJ-151X |
| | C6092 | NP.E CAPACITOR | QENC1HM-225Z | ----- |
| | R6006 | MG RESISTOR | NRSA02J-473X | NRSA02J-184X |
| | R6007 | MG RESISTOR | NRSA02J-273X | NRSA02J-333X |
| | R6008 | MG RESISTOR | ----- | NRSA02J-684X |
| | R6009 | MG RESISTOR | NRSA02J-563X | NRSA02J-753X |
| | R6024 | MG RESISTOR | NRSA02J-154X | NRSA02J-474X |
| | R6025 | MG RESISTOR | NRSA02J-154X | NRSA02J-474X |
| | R6041 | MG RESISTOR | NRSA02J-433X | NRSA02J-184X |
| | R6043 | MG RESISTOR | NRSA02J-123X | NRSA02J-912X |
| | R6044 | MG RESISTOR | NRSA02J-683X | NRSA02J-393X |
| | R6047 | MG RESISTOR | NRSA02J-332X | NRSA02J-472X |
| | R6048 | MG RESISTOR | NRSA02J-222X | NRSA02J-272X |
| | R6049 | MG RESISTOR | NRSA02J-152X | ----- |

JVC

VICTOR COMPANY OF JAPAN, LIMITED

AUDIO & COMMUNICATION BUSINESS DIVISION

PERSONAL & MOBILE NETWORK B.U. 10-1, 1chome, Ohwatari-machi, Maebashi-city, 371-8543, Japan